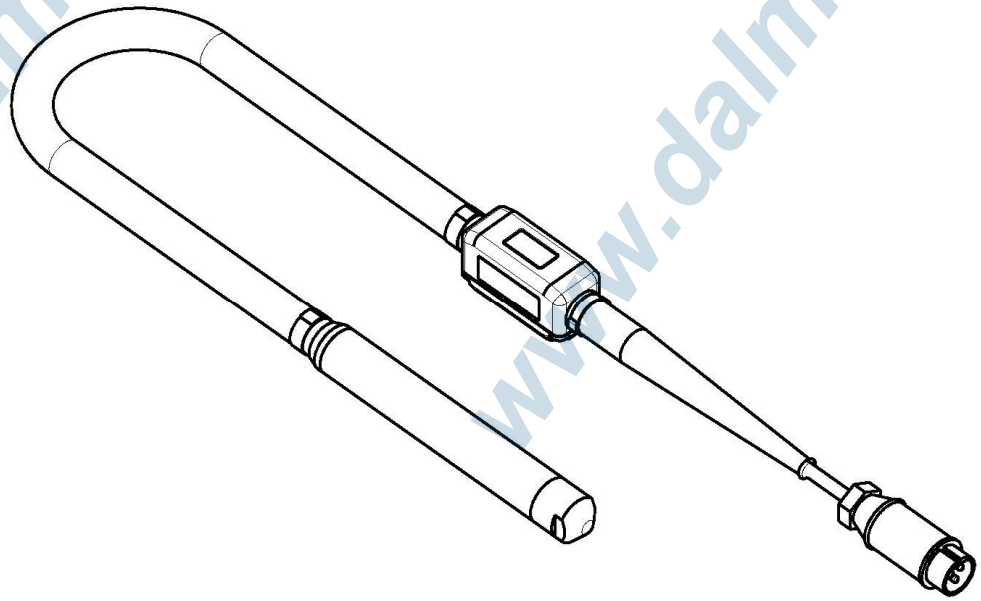




EX

Spare parts list

Electric internal vibrator





Contents

General information	3
Spare parts list	4
EX40 TO EX65.....	4
VIBRATING ELEMENT EX40.....	6
VIBRATING ELEMENT EX48 TO EX65.....	8

www.dalmex.net

www.dalmex.net

General information

This spare parts list applies to the following:

Part number	Specification	Description
D604 8005 06	Standard length (5m)	Electric poker EX40 42V-3-200Hz
D604 8005 07	Standard length (5m)	Electric poker EX48 42V-3-200Hz
D604 8005 08	Standard length (5m)	Electric poker EX55 42V-3-200Hz
D604 8005 09	Standard length (5m)	Electric poker EX65 42V-3-200Hz
4812 0506 75	Special length	Electric poker EX40 42V-3-200Hz
4812 0506 76	Special length	Electric poker EX48 42V-3-200Hz
4812 0506 77	Special length	Electric poker EX55 42V-3-200Hz
4812 0506 78	Special length	Electric poker EX65 42V-3-200Hz

Use only authorized parts. Any damage or malfunction caused by the use of unauthorized parts is not covered by Warranty or Product Liability.

Any unauthorized use or copying of the contents or any part thereof is prohibited. This applies in particular to trademarks, model denominations, part numbers, and drawings.

Instructions for use

This spare parts list contains no safety regulations and is merely intended to assist in the ordering of spare parts.

For information about operating, servicing, or repairing, the relevant Safety and operating instructions must be consulted at all costs.

Please observe the safety instructions listed in the relevant Safety and operating instructions!

Spare parts list

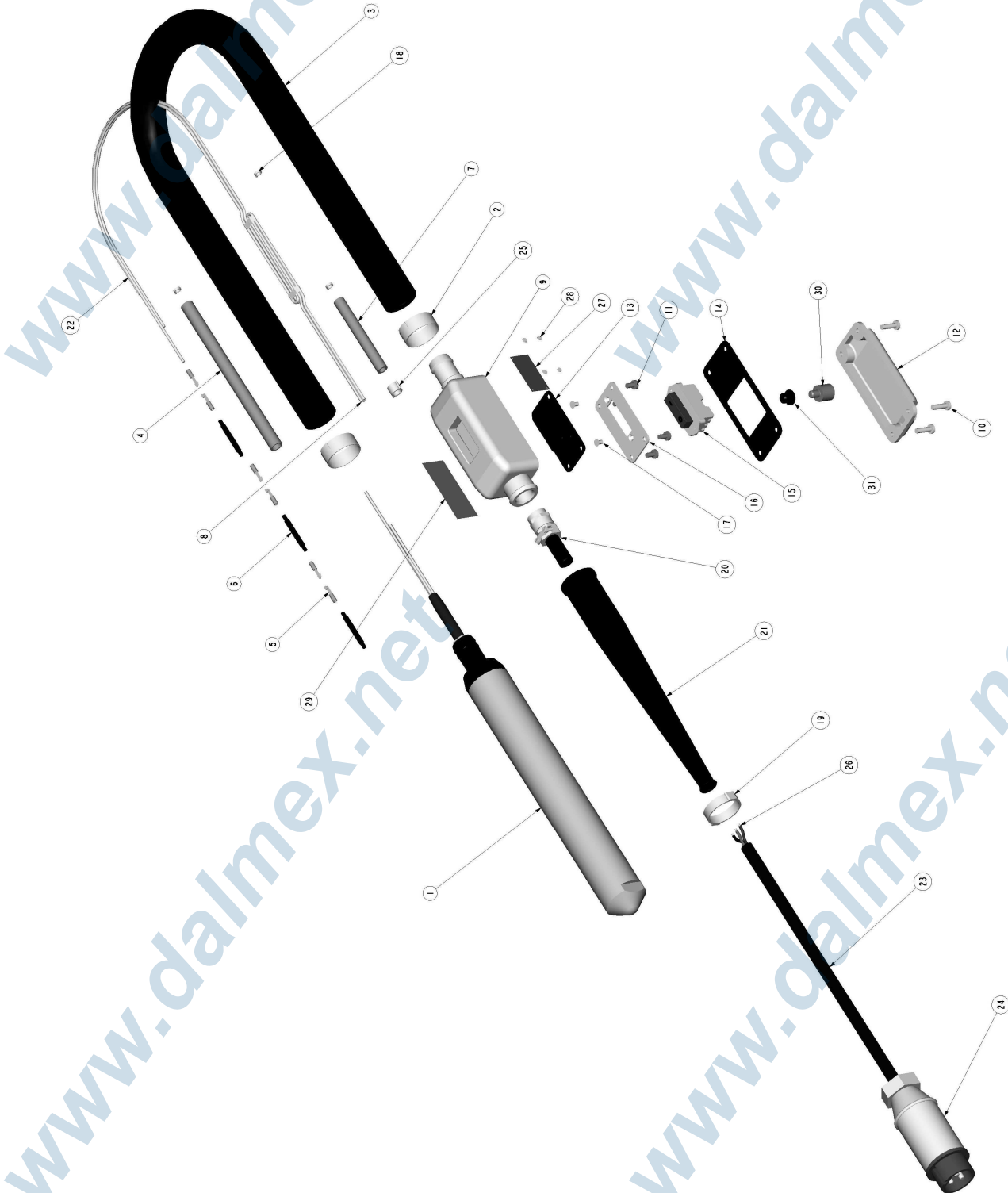
EX40 TO EX65

This spare parts list is valid from P/N : FRO020218

No.	Description	EX40	EX48	EX55	EX65	Part number
		Qty	Qty	Qty	Qty	
1	Vibrating element	1	1	1	1	See the table below
2	Clamp	2	2	2	2	4700 1843 54
3	Hose	5m	5m	5m	5m	4700 3661 52
4	Hose	0.55m	0.55m	0.55m	0.55m	4700 1016 97
5	Connector	6	6	6	6	4700 1079 76
6	Thermo-insulation	3	3	3	3	4700 1101 64
7	Hose	0.1m	0.1m	0.1m	0.1m	4700 1079 96
8	Wire end	3	3	3	3	4700 1107 82
9	Box	1	1	1	1	4700 1866 86
10	Screw	4	4	4	4	4700 5330 30
11	Screw	4	4	4	-	4700 5330 24
		-	-	-	4	4700 5330 27
12	Cover	1	1	1	1	4700 1834 56
13	Membrane	1	1	1	1	4700 1834 58
14	Gasket	1	1	1	1	4700 1834 59
15	Switch	1	1	1	-	4700 3610 75
		-	-	-	1	4700 9300 27
16	Holder	1	1	1	-	4700 1871 62
		-	-	-	1	4700 1173 48
17	Screw	2	2	2	-	4700 5350 01
		-	-	-	2	4700 3626 33
18	Clamp	4	4	4	4	4700 1860 16
19	Clamp	1	1	1	1	4700 1001 90
20	Gland	1	1	1	1	4812 0504 83
21	Flexible sheathing	1	1	1	1	4700 1078 29
22	Cable	3x5.8m	3x5.8m	3x5.8m	3x5.8m	4700 1865 24
23	Electric cable	10m	10m	10m	10m	4700 9010 22
24	Plug	1	1	1	1	4700 9450 35
25	Clamp	1	1	1	1	4700 3130 55
26	Wire end	6	6	6	6	4700 1107 83
27	Data plate	1	1	1	1	4700 1872 16
28	Rivet	4	4	4	4	4700 1016 63
29	Decal	1	1	1	1	4812 0512 20
30	Stop	1	1	1	-	4700 1379 54
31	Plug	1	1	1	-	4700 1848 40

VIBRATING ELEMENTS LIST

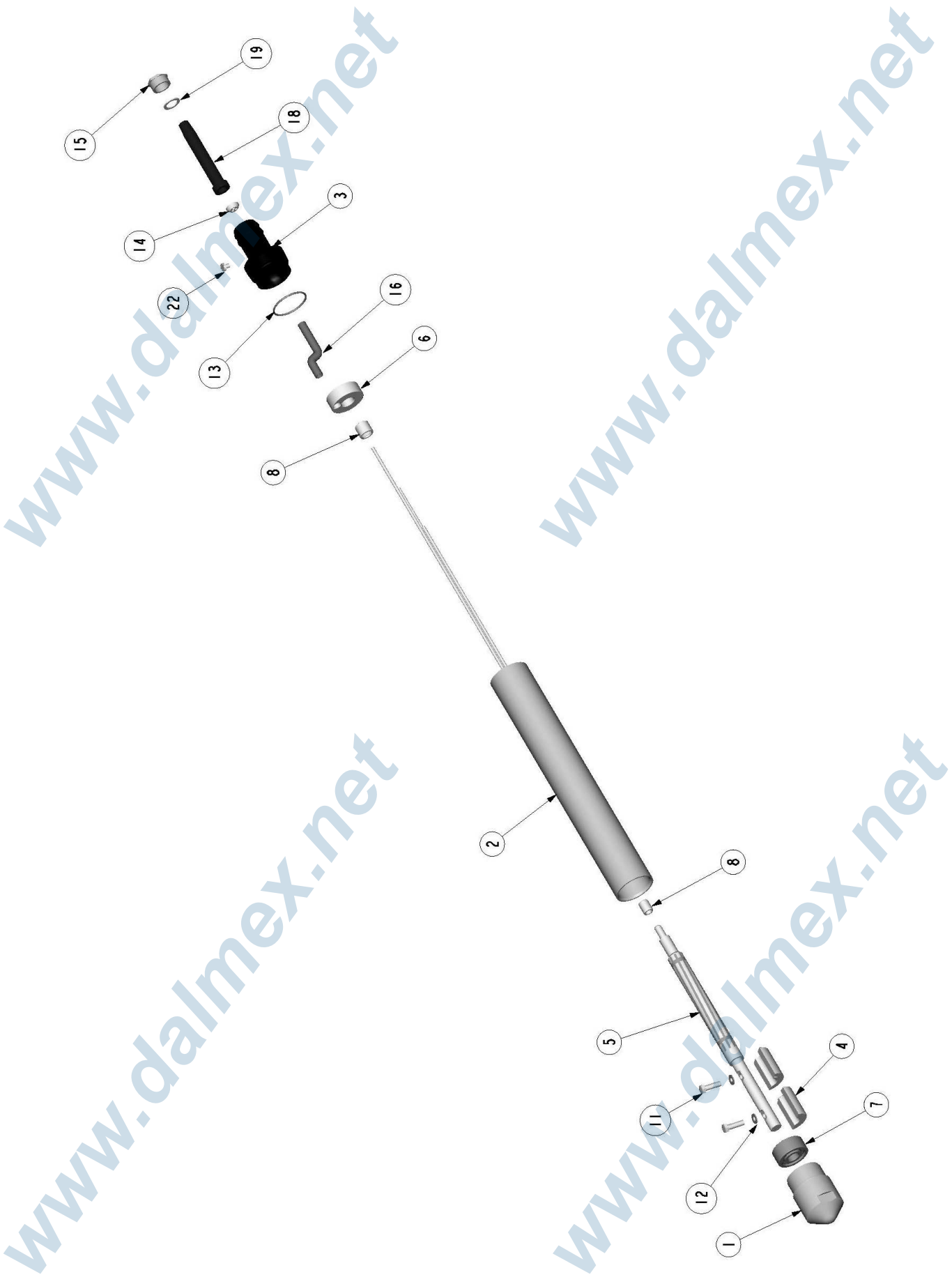
Designation	Standard
EX40 42V-3-200Hz	4700 1878 43
EX48 42V-3-200Hz	4700 1878 44
EX55 42V-3-200Hz	4700 1878 45
EX65 42V-3-200Hz	4700 1878 46



VIBRATING ELEMENT EX40

No.	Description	EX40	
		Qty	Part number
1	End cap	1	4700 3673 00
	Rubber end cap	O	4700 1870 85
2	Stator tube	1	4700 1173 40
3	Nipple	1	4700 1868 43
4	Eccentric	2	4700 3673 04
5	Rotor	1	4700 1173 22
6	Bearing holder	1	4700 1832 46
7	Bearing	1	4700 1868 41
8	Needle bearing	1	4700 1816 57
9	Bushing	1	4700 1816 59
11	Screw	2	4700 1860 54
12	Washer	2	4700 3678 96
13	O ring	1	4700 1603 21
14	Rubber gasket	1	4700 1867 99
15	Thrustscrew	1	4700 1862 62
16	Hose	0.08m	4700 1833 20
18	Flexible sheathing	1	4700 1868 42
19	Thrustring	1	4700 1862 73
21	Oil	0.005l	4700 1808 04
22	Screw	1	4700 1818 62

*O : option



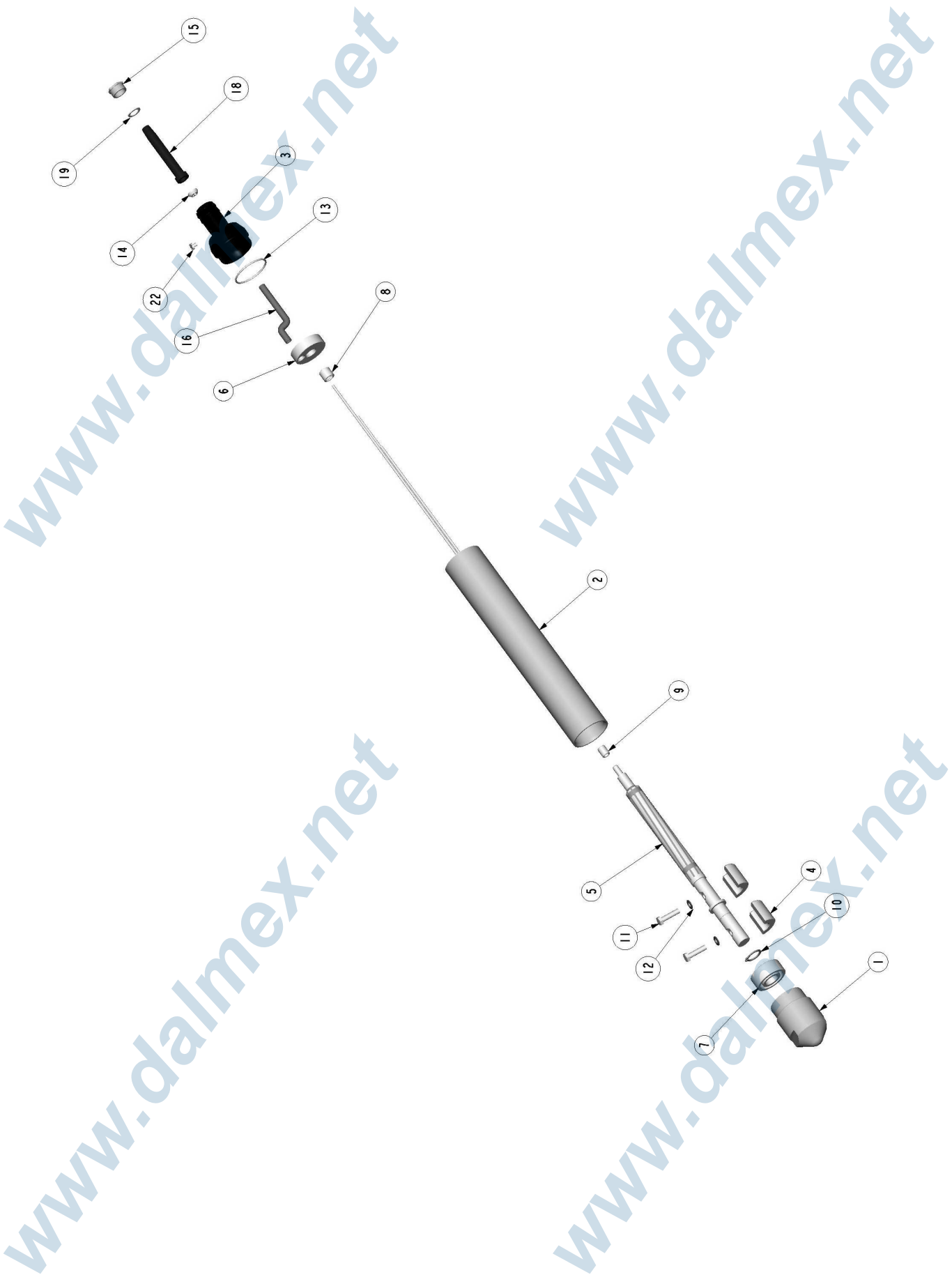
www.dalmex.net

www.dalmex.net

VIBRATING ELEMENT EX48 TO EX65

No.	Description	EX48		EX55		EX65	
		Qty	Part number	Qty	Part number	Qty	Part number
1	End cap	1	4700 3673 01	1	4700 3673 02	1	4700 3673 03
	Rubber end cap	O	4700 1870 87	O	4700 1870 89	O	4700 1870 91
2	Stator tube	1	4700 1376 29	1	4700 1868 03	1	4700 1868 24
3	Nipple	1	4700 1376 27	1	4700 1868 45	1	4700 1868 48
4	Eccentric	2	4700 3673 05	2	4700 3673 06	2	4700 3673 07
5	Rotor	1	4700 1868 20	1	4700 1868 09	1	4700 1868 30
6	Bearing holder	1	4700 1376 28	1	4700 1832 57	1	4700 1832 95
7	Bearing	1	4700 1868 21	1	4700 1868 10	1	4700 1868 31
8	Needle bearing	1	4700 1816 57	1	4700 1824 72	1	4700 1824 72
9	Bushing	1	4700 1816 59	1	4700 1824 73	1	4700 1824 73
10	Retaining ring	1	4700 1859 49	1	4700 1833 39	2	4700 1833 39
11	Screw	2	4700 5000 75	2	4700 5000 15	2	4700 5000 22
12	Washer	2	4700 3678 97	2	4700 3678 97	2	4700 3678 98
13	O ring	1	4700 1600 15	1	4700 1600 15	1	4700 1603 29
14	Rubber gasket	1	4700 1867 99	1	4700 1867 99	1	4700 1867 99
15	Thrustscrew	1	4700 1862 62	1	4700 1862 62	1	4700 1862 62
16	Hose	0.08m	4700 1833 21	0.1m	4700 1833 21	0.09m	4700 1838 77
18	Flexible sheathing	1	4700 1868 42	1	4700 1868 42	1	4700 1868 42
19	Thrustring	1	4700 1862 73	1	4700 1862 73	1	4700 1862 73
21	Oil	0.01l	4700 1808 04	0.015l	4700 1808 04	0.02l	4700 1808 04
22	Screw	1	4700 1818 62	1	4700 1818 62	1	4700 1818 62

*O : option



www.dalmex.net

www.dalmex.net



www.dalmex.net

www.dalmex.net

www.dalmex.net

www.dalmex.net

www.dalmex.net

www.dalmex.net

www.dalmex.net

www.dalmex.net



www.dalmex.net

www.dalmex.net

www.dalmex.net

www.dalmex.net

Any unauthorized use or copying of the contents or any part thereof is prohibited. This applies in particular to trademarks, model denominations, part numbers, and drawings.