

---

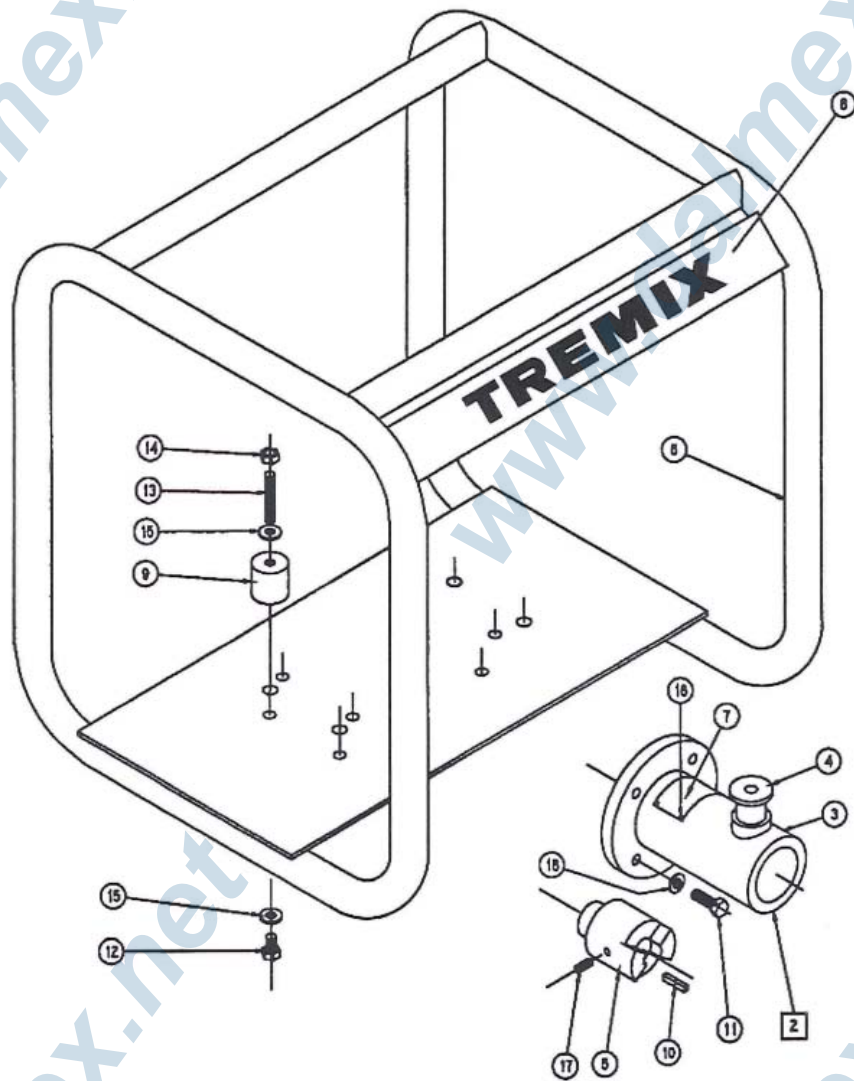
Drive Unit with Diesel engine **DRD**

---

## TREMIX DRD

Date 2009-06

Pos	Part No	Description	Qty
		DRD P/N 4812050296	
1	4700369941	Engine	1
2	4700363442	Guiding sleeve cpl.	1
3	4700363439	*Guiding sleeve	1
4	4700362207	*Locking piston	1
5	4700704549	Shaft coupling	1
6	4812050302	Cage	1
7	D604047785	Sign plate	1
8	D604001465	Decal	1
9	4700367223	Chock absorber	4
10	4700351046	Key	1
11	4700503013	Screw	4
12	4700500191	Screw	4
13	4700367224	Stud	4
14	4700586018	Nut	4
15	4700604005	Spring washer	8
16	4700101663	Drive screw	4
17	4700516049	Screw	1
18	4700604005	Washer	4
21	4700206134	Instruction decal	1

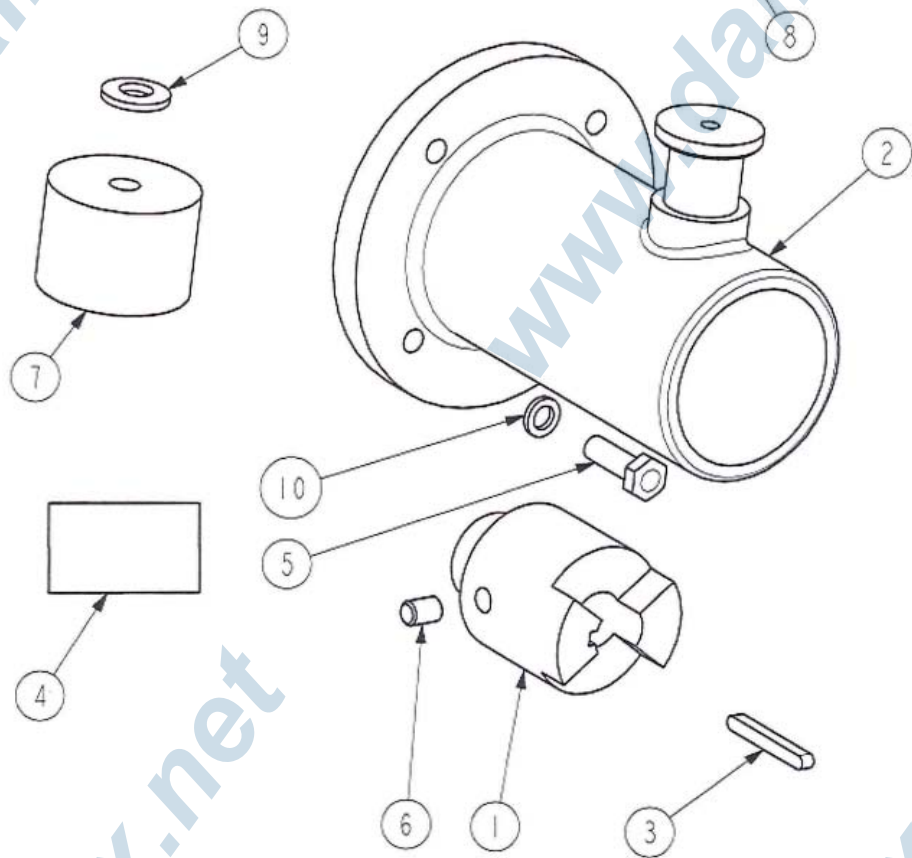


## TREMIX DRD

Date 2009-06

Pos	Part No	Description	Qty
		DRD KIT P/N 4700137886	
1	4700704549	Shaft coupling	1
2	4700363442	Guiding sleeve	1
3	4700351046	Key	1
4	4700206134	Instruction decal	1
5	4700186569	Screw	4
6	4700516049	Screw	1
7	4700450007	Shock absorber	4
8	4700001465	Decal	1
9	4700615044	Spring washer	8
10	4700604005	Washer	4

TREMIX





**DALMEX**

**TREMIX®**

[www.dalmex.net](http://www.dalmex.net)

[www.dalmex.net](http://www.dalmex.net)

[www.dalmex.net](http://www.dalmex.net)

[www.dalmex.net](http://www.dalmex.net)

**TREMIX®**

[www.dalmex.net](http://www.dalmex.net)

Nordic Construction Equipment AB, PO Box 8001, SE-141 08 Kungens Kurva, Sweden.  
Tel. +46 (0)8 603 32 00. Fax. +46 (0)8 646 72 61, [www.tremix.com](http://www.tremix.com)

RE DR DEN 10