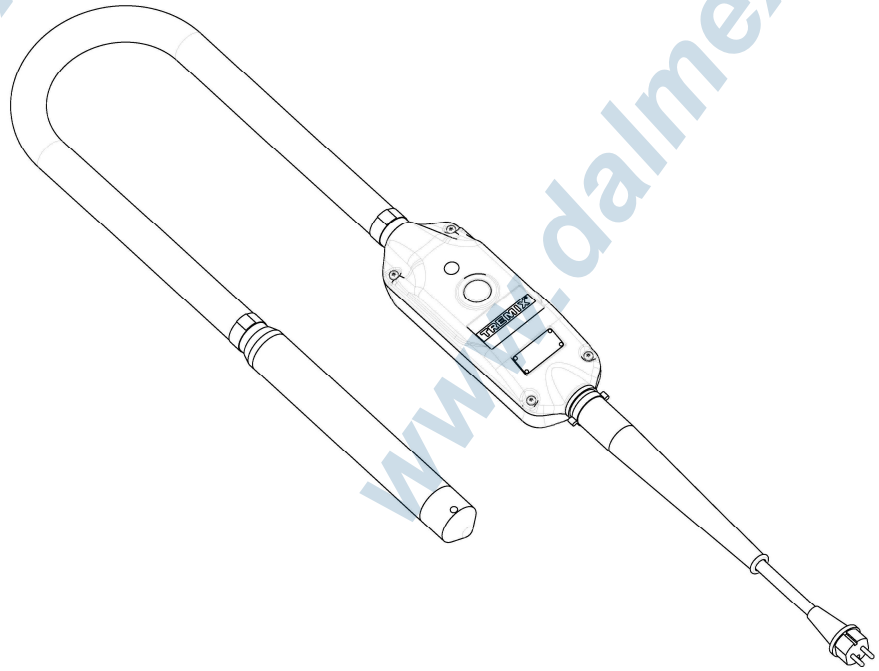




ELECTROVIB

Spare parts list

Electronic internal vibrator





Contents

General information 3

Spare parts list 4

 ELECTROVIB40 TO ELECTROVIB65 4

 ELECTROVIB-C25 TO ELECTROVIB-C56 7

 VIBRATING ELEMENT ELECTROVIB-C25 10

 VIBRATING ELEMENT ELECTROVIB40 TO ELECTROVIB65 (ALL VERSIONS) 12

Maintenance kit 14

www.dalmex.net

www.dalmex.net

General information

This spare parts list applies to the following:

Part number	Specification	Description
4812 0512 97	Standard length (5m)	Electronic poker ELECTROVIB40 230V-1-50/60Hz
4812 0512 98	Standard length (5m)	Electronic poker ELECTROVIB48 230V-1-50/60Hz
4812 0512 99	Standard length (5m)	Electronic poker ELECTROVIB56 230V-1-50/60Hz
4812 0513 00	Standard length (5m)	Electronic poker ELECTROVIB65 230V-1-50/60Hz
4812 0513 01	Standard length (5m)	Electronic poker ELECTROVIB40 115V-1-50/60Hz
4812 0513 02	Standard length (5m)	Electronic poker ELECTROVIB48 115V-1-50/60Hz
4812 0513 03	Standard length (5m)	Electronic poker ELECTROVIB56 115V-1-50/60Hz
4812 0513 04	Standard length (0.5m)	Electronic poker ELECTROVIB-C25 230V-1-50/60Hz
4812 0513 05	Standard length (0.5m)	Electronic poker ELECTROVIB-C40 230V-1-50/60Hz
4812 0513 06	Standard length (0.5m)	Electronic poker ELECTROVIB-C48 230V-1-50/60Hz
4812 0513 07	Standard length (0.5m)	Electronic poker ELECTROVIB-C56 230V-1-50/60Hz
4812 0506 68	Special length	Electronic poker ELECTROVIB40 115V-1-50/60Hz
4812 0506 69	Special length	Electronic poker ELECTROVIB40 230V-1-50/60Hz
4812 0506 70	Special length	Electronic poker ELECTROVIB48 115V-1-50/60Hz
4812 0506 71	Special length	Electronic poker ELECTROVIB48 230V-1-50/60Hz
4812 0506 72	Special length	Electronic poker ELECTROVIB56 115V-1-50/60Hz
4812 0506 73	Special length	Electronic poker ELECTROVIB56 230V-1-50/60Hz
4812 0506 74	Special length	Electronic poker ELECTROVIB65 230V-1-50/60Hz

Use only authorized parts. Any damage or malfunction caused by the use of unauthorized parts is not covered by Warranty or Product Liability.

Any unauthorized use or copying of the contents or any part thereof is prohibited. This applies in particular to trademarks, model denominations, part numbers, and drawings.

Instructions for use

This spare parts list contains no safety regulations and is merely intended to assist in the ordering of spare parts.

For information about operating, servicing, or repairing, the relevant Safety and operating instructions must be consulted at all costs.

Please observe the safety instructions listed in the relevant Safety and operating instructions!



Spare parts list

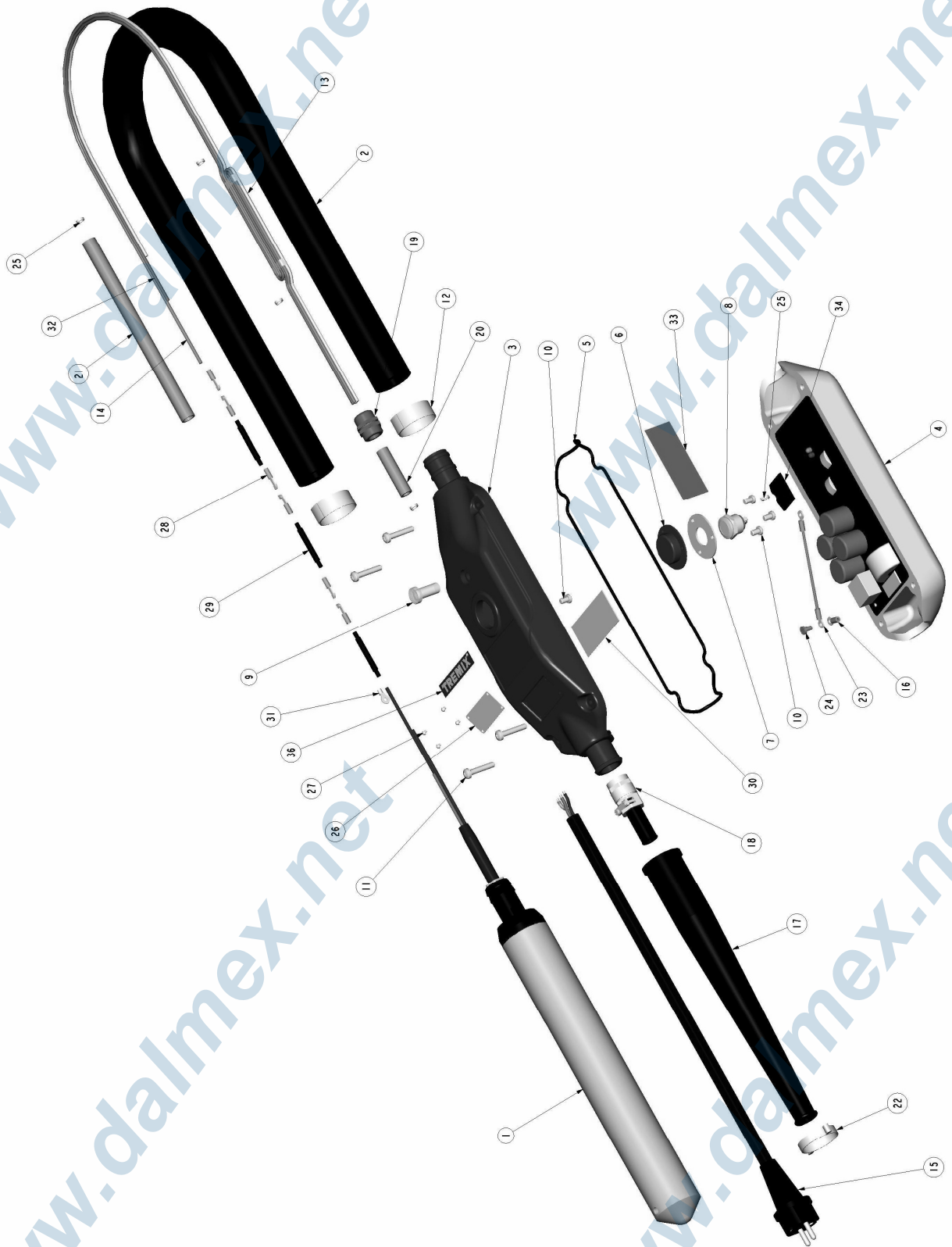
ELECTROVIB40 TO ELECTROVIB65

No	Description	ELECTROVIB40		ELECTROVIB48		ELECTROVIB56		ELECTROVIB65		Part number
		230V-1-50/60Hz	115V-1-50/60Hz	230V-1-50/60Hz	115V-1-50/60Hz	230V-1-50/60Hz	115V-1-50/60Hz	230V-1-50/60Hz	115V-1-50/60Hz	
1	Vibrating element	1	1	1	1	1	1	1	1	See the table below
2	Hose	5m	5m	5m	5m	5m	5m	5m	5m	4700 3661 52
3	Cover	1	1	1	1	1	1	1	1	4812 0513 09
4	Electronic unit	1	1	1	1	1	1	1	1	4812 0506 02
5	O ring	1	1	1	1	1	1	1	1	4812 0507 27
6	Rubber membrane	1	1	1	1	1	1	1	1	4812 0506 03
7	Plate	1	1	1	1	1	1	1	1	4812 0506 04
8	Switch	1	1	1	1	1	1	1	1	4812 0506 05
9	Eye piece	1	1	1	1	1	1	1	1	4812 0506 06
10	Screw	4	4	4	4	4	4	4	4	4812 0506 07
11	Screw	4	4	4	4	4	4	4	4	4812 0506 08
12	Clamp	2	2	2	2	2	2	2	2	4700 1843 54
13	Wire	2x6m	2x6m	2x6m	2x6m	2x6m	2x6m	2x6m	2x6m	4700 1865 23
14	Wire	6.5m	6.5m	6.5m	6.5m	6.5m	6.5m	6.5m	6.5m	4700 9000 61
15	Cable with plug	1	-	1	-	1	-	1	-	4700 1373 06
		-	1	-	1	-	1	-	1	4812 0507 98
16	Spade	1	1	1	1	1	1	1	1	4700 9600 65
17	Flexible sheeting	1	1	1	1	1	1	1	1	4700 1078 29
18	Gland	1	1	1	1	1	1	1	1	4812 0504 83
19	Stuffing box	1	1	1	1	1	1	1	1	4700 3686 83
20	Hose	0.05m	0.05m	0.05m	0.05m	0.05m	0.05m	0.05m	0.05m	4700 1079 96
21	Hose	0.55m	0.55m	0.55m	0.55m	0.55m	0.55m	0.55m	0.55m	4700 1016 97
22	Clamp	1	1	1	1	1	1	1	1	4700 1023 92
23	Wire	1	1	1	1	1	1	1	1	470W 7434 96
24	Screw	1	1	1	1	1	1	1	1	4700 1859 14
25	Clamp	7	7	7	7	7	7	7	7	4700 1860 16
26	Data plate	1	1	1	1	1	1	1	1	4700 3686 88
27	Rivet	4	4	4	4	4	4	4	4	4710 1663 -1
28	Connector	6	6	6	6	6	6	6	6	4700 1079 76
29	Thermo insulation	3	3	3	3	3	3	3	3	4700 1101 64
30	Decal	1	1	1	1	1	1	1	1	4812 0507 78
31	Cable clip	1	1	1	1	1	1	1	1	4700 1870 13
32	Wire	6m	6m	6m	6m	6m	6m	6m	6m	4700 1859 09
33	Decal	1	1	1	1	1	1	1	1	4812 0512 20
34	Adhesive cable clip	1	1	1	1	1	1	1	1	4812 0507 92

No	Description	ELECTROVIB40		ELECTROVIB48		ELECTROVIB56		ELECTROVIB65		Part number
		230V-1-50/60Hz	115V-1-50/60Hz	230V-1-50/60Hz	115V-1-50/60Hz	230V-1-50/60Hz	115V-1-50/60Hz	230V-1-50/60Hz		
36	Decal	1	1	1	1	1	1	1		4812 0512 49

VIBRATING ELEMENTS LIST

Designation	Standard
ELECTROVIB40 230V-1-50/60Hz	4812 0511 93
ELECTROVIB40 115V-1-50/60Hz	4812 0511 94
ELECTROVIB48 230V-1-50/60Hz	4812 0511 95
ELECTROVIB48 115V-1-50/60Hz	4812 0511 96
ELECTROVIB56 230V-1-50/60Hz	4812 0511 97
ELECTROVIB56 115V-1-50/60Hz	4812 0511 98
ELECTROVIB65 230V-1-50/60Hz	4812 0511 99



ELECTROVIB-C25 TO ELECTROVIB-C56

No.	Description	ELECTROVIB-C25	ELECTROVIB-C40	ELECTROVIB-C48	ELECTROVIB-C56	Part number
		Qty	Qty	Qty	Qty	
1	Vibrating element	1	1	1	1	See the table below
2	Hose	0.5m	0.5m	0.5m	0.5m	4700 3661 52
3	Cover	1	1	1	1	4812 0513 08
4	Electronic unit	1	1	1	1	4812 0506 02
5	O ring	1	1	1	1	4812 0507 27
6	Rubber membrane	1	1	1	1	4812 0506 03
7	Plate	1	1	1	1	4812 0506 04
8	Switch	1	1	1	1	4812 0506 05
9	Eye piece	1	1	1	1	4812 0506 06
10	Screw	1	1	1	1	4812 0506 07
11	Screw	4	4	4	4	4812 0506 08
12	Clamp	2	2	2	2	4700 1843 54
13	Wire	2x0.4m	2x0.4m	2x0.4m	2x0.4m	4700 1865 23
14	Wire	0.8m	0.8m	0.8m	0.8m	4700 9000 61
15	Cable	1.7m	1.7m	1.7m	1.7m	4700 3638 09
16	Spade	1	1	1	1	4700 9600 65
17	Flexible sheeting	3	3	3	3	4700 1078 29
18	Gland	3	3	3	3	4812 0504 83
19	Wire end	3	3	3	3	4700 1107 82
20	Hose	0.35m	0.35m	0.35m	0.35m	4700 1016 97
21	Hose	0.23m	0.23m	0.23m	0.23m	D604 0020 87
22	Clamp	3	3	3	3	4700 1023 92
23	Wire	1	1	1	1	470W 7434 96
24	Screw	1	1	1	1	4700 1859 14
25	Clamp	4	4	4	4	4700 1860 16
26	Data plate	1	1	1	1	4700 3686 88
27	Rivet	4	4	4	4	4710 1663 -1
28	Connector	6	6	6	6	4700 1079 76
29	Thermo insulation	3	3	3	3	4700 1101 64
30	Decal	1	1	1	1	4812 0507 78
31	Cable clip	1	1	1	1	4700 1870 13
32	Wire	0.4m	0.4m	0.4m	0.4m	4700 1859 09
33	Decal	1	1	1	1	4812 0512 20
34	Adhesive cable clip	1	1	1	1	4812 0507 92
35	Screw	3	3	3	3	4812 0507 91
36	O ring	1	1	1	1	4700 1602 31
37	Screw	2	2	2	2	4700 5415 40
38	Screw	2	2	2	2	4700 5415 41
39	Cover	1	1	1	1	4812 0511 46
40	Handle	1	1	1	1	4812 0507 77
41	Nut	1	1	1	1	4700 3636 49
42	Shock absorber	1	1	1	1	4700 3632 84
43	Terminal	6	6	6	6	4700 1827 21



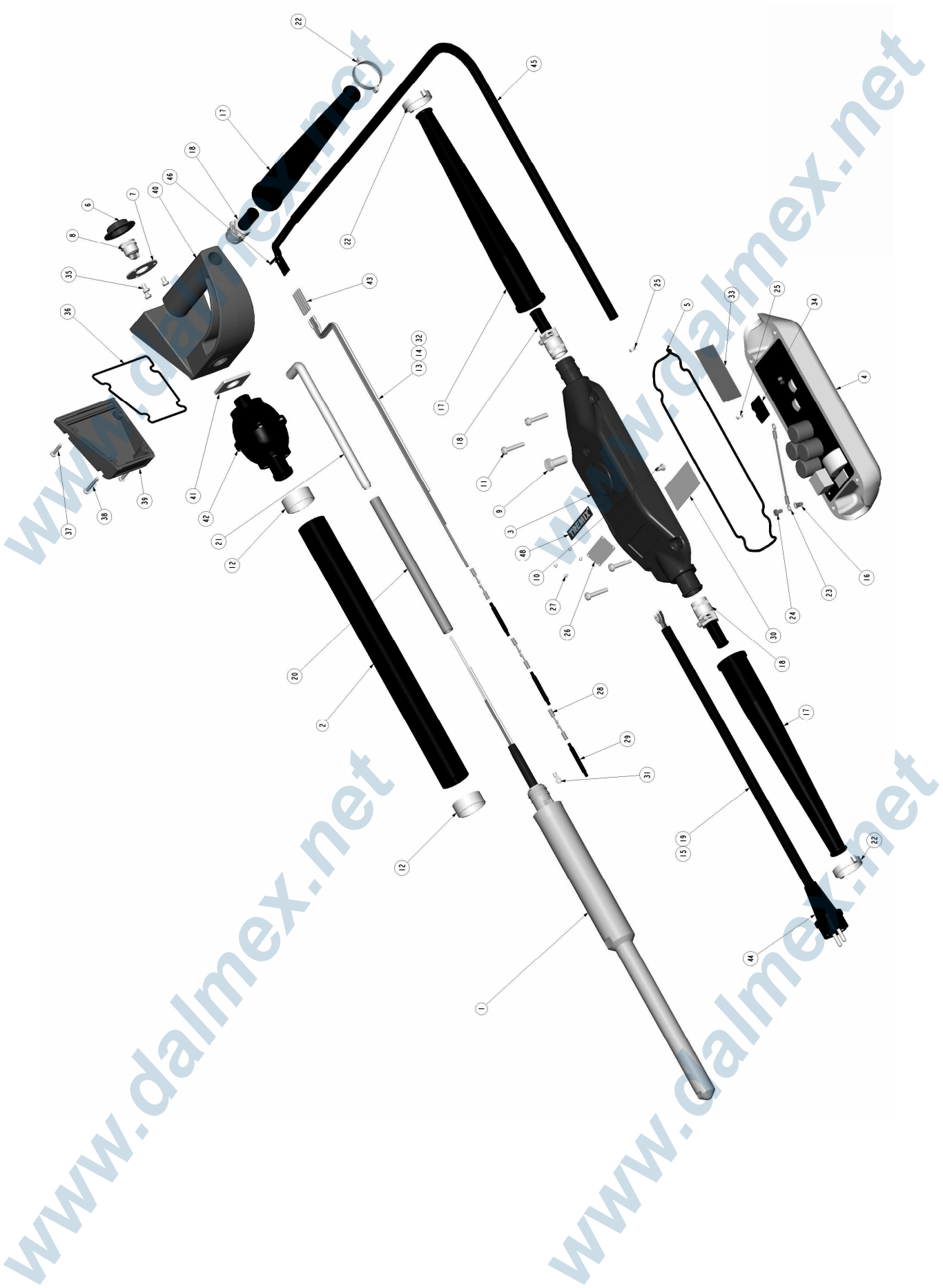
No.	Description	ELECTROVIB-C25	ELECTROVIB-C40	ELECTROVIB-C48	ELECTROVIB-C56	Part number
		Qty	Qty	Qty	Qty	
44	Switch plug	1	1	1	1	4700 3602 42
45	Cable	15m	15m	15m	15m	4700 3689 60
46	Wire end	2	2	2	2	4700 1801 23
48	Decal	1	1	1	1	4812 0512 49

VIBRATING ELEMENTS LIST

Designation	Part number
ELECTROVIB-C25 230V-1-50/60Hz	4812 0511 92
ELECTROVIB-C40 230V-1-50/60Hz	4812 0511 93
ELECTROVIB-C48 230V-1-50/60Hz	4812 0511 95
ELECTROVIB-C56 230V-1-50/60Hz	4812 0511 97

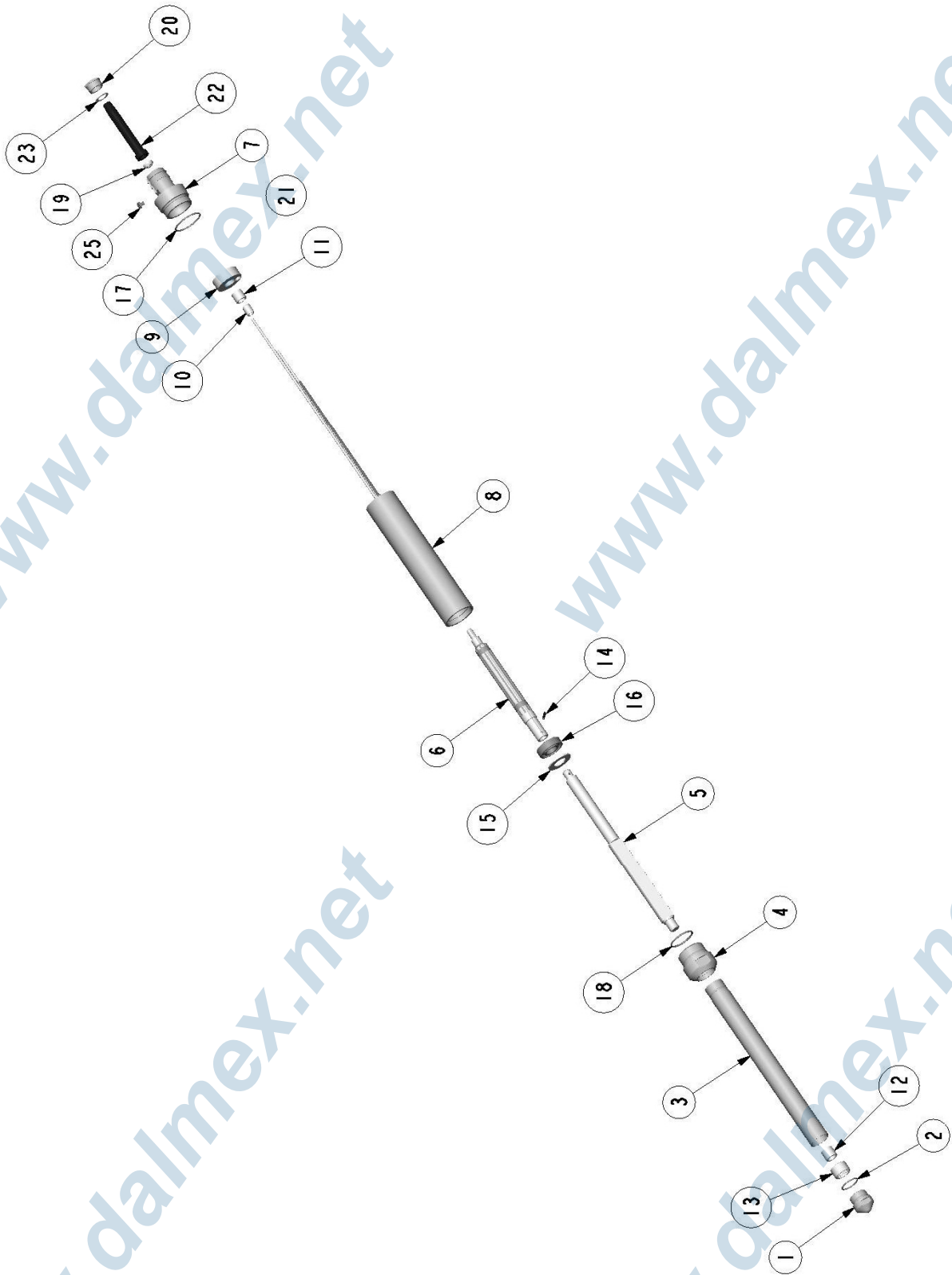
www.dalmex.net

www.dalmex.net



VIBRATING ELEMENT ELECTROVIB-C25

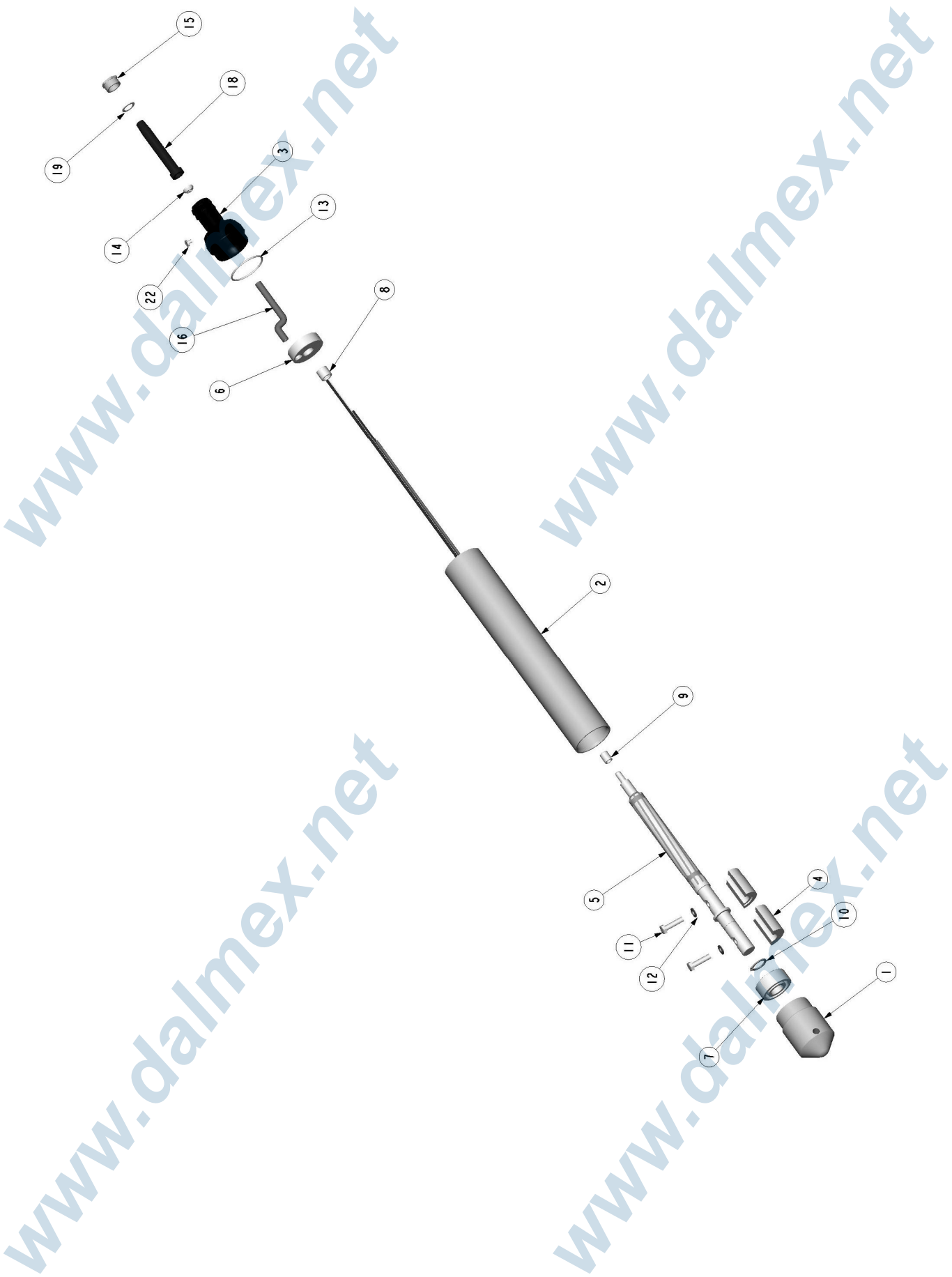
No.	Description	ELECTROVIB-C25	
		Qty	Part number
1	End cap	1	4700 1866 72
2	O ring	1	4700 1603 06
3	Vibrating tube	1	4700 1866 73
4	Reducer	1	4700 1866 74
5	Eccentric	1	4700 1871 73
6	Rotor	1	4700 1173 23
7	Nipple	1	4700 1868 43
8	Stator tube	1	4700 1173 39
9	Bearing	1	4700 1832 46
10	Bushing	1	4700 1816 59
11	Needle bearing	1	4700 1816 57
12	Ring	1	4700 1866 80
13	Needle bearing	1	4700 1866 81
14	Dowel	1	4700 1866 82
15	Spring spacer	1	4700 1860 15
16	Ball bearing	1	4700 1867 97
17	O ring	1	4700 1603 21
18	O ring	1	4700 1603 16
19	Rubber gasket	1	4700 1867 99
20	Thrustscrew	1	4700 1862 62
21	Hose	0.05m	4700 1833 20
22	Flexible sheating	1	4700 1868 42
23	Thrusting	1	4700 1862 73
24	Oil	0.01l	4700 1808 04
25	Screw	1	4700 1818 62



VIBRATING ELEMENT ELECTROVIB40 TO ELECTROVIB65 (ALL VERSIONS)

No.	Description	ELECTROVIB40 ELECTROVIB-C40		ELECTROVIB48 ELECTROVIB-C48		ELECTROVIB56 ELECTROVIB-C56		ELECTROVIB65	
		Qty	Part number	Qty	Part number	Qty	Part number	Qty	Part number
1	End cap	1	4700 1868 33	1	4700 1868 12	1	4700 1868 02	1	4700 1868 23
	Rubber end cap	O*	4700 1870 85	O*	4700 1870 87	O*	4700 1870 89	O*	4700 1870 91
2	Stator tube (210V)	1	4812 0507 41	1	4812 0507 45	1	4812 0507 48	1	4812 0507 53
	Stator tube (110V)	1	4812 0507 42	1	4812 0507 46	1	4812 0507 49	-	-
3	Nipple	1	4700 1868 43	1	4700 1376 27	1	4812 0507 52	1	4700 1868 48
4	Eccentric	2	4700 1868 39	2	4700 3685 96	2	4700 3685 97	2	4700 1874 18
5	Rotor	1	4700 1173 22	1	4700 1868 20	1	4700 1868 09	1	4700 1868 30
6	Bearing holder	1	4812 0507 44	1	4700 1376 28	1	4812 0507 51	1	4700 1832 95
7	Bearing	1	4700 1868 41	1	4700 1868 21	1	4700 1868 10	1	4700 1868 31
8	Needle bearing	1	4700 1816 57	1	4700 1816 57	1	4700 1824 72	1	4700 1824 72
9	Bushing	1	4700 1816 59	1	4700 1816 59	1	4700 1824 73	1	4700 1824 73
10	Retaining ring	-	-	1	4700 1859 49	1	4700 1833 39	2	4700 1833 39
11	Screw	2	4700 1860 54	2	4700 5000 75	2	4700 5000 15	2	4700 5000 22
12	Washer	2	4700 3678 96	2	4700 3678 97	2	4700 3678 97	2	4700 3678 98
13	O ring	1	4700 1603 21	1	4700 1600 15	1	4700 1600 15	1	4700 1603 29
14	Rubber gasket	1	4700 1867 99	1	4700 1867 99	1	4700 1867 99	1	4700 1867 99
15	Thrustscrew	1	4700 1862 62	1	4700 1862 62	1	4700 1862 62	1	4700 1862 62
16	Hose	0.08m	4700 1833 20	0.08m	4700 1833 21	0.1m	4700 1833 21	0.1m	4700 1838 77
18	Flexible sheathing	1	4700 1868 42	1	4700 1868 42	1	4700 1868 42	1	4700 1868 42
19	Thrustring	1	4700 1862 73	1	4700 1862 73	1	4700 1862 73	1	4700 1862 73
21	Oil	0.005l	4700 1808 04	0.01l	4700 1808 04	0.015l	4700 1808 04	0.02l	4700 1808 04
22	Screw	1	4700 1818 62	1	4700 1818 62	1	4700 1818 62	1	4700 1818 62

*O : option



www.dalmex.net

www.dalmex.net



Maintenance kit

Designation	Part number	Parts included	Model
ELECTRONIC CONVERTOR WITHOUT CABLE	4812 0513 10	No : 3, 4, 5, 6, 7, 8, 9, 10, 11, 16, 18, 19, 20, 23, 24, 25, 30, 33, 34, 36	Spare part list ELECTROVIB
ELECTRONIC CONVERTOR WITHOUT CABLE	4812 0513 11	No : 3, 4, 5, 9, 10, 11, 16, 18, 23, 24, 25, 30, 33, 34, 48	Spare part list ELECTROVIB-C
HANDLE KIT CPL	4812 0512 86	No : 6, 7, 8, 18, 35, 36, 37, 38, 39, 40, 41, 42	Spare part list ELECTROVIB-C

www.dalmex.net

www.dalmex.net

www.dalmex.net

www.dalmex.net



www.dalmex.net

www.dalmex.net

www.dalmex.net

www.dalmex.net

Any unauthorized use or copying of the contents or any part thereof is prohibited. This applies in particular to trademarks, model denominations, part numbers, and drawings.

No. 9800 1080 01b | 2012-06-27